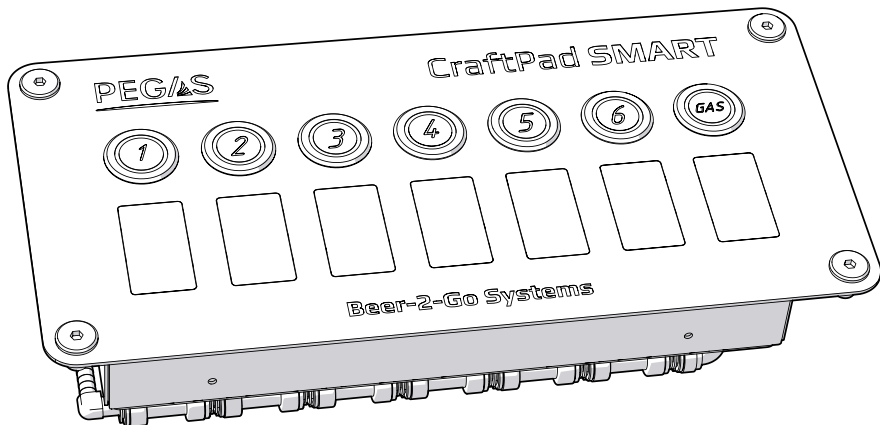


PEGAS[®]

CraftPad SMART

Flow control switch

Beer-2-Go-Systems



www.beerinnovations.com

USER MANUAL

Warnings

Read this user manual carefully and completely before using the device.

Important safety information

1. Ensure the CraftPad Smart flow control switch (CraftPad) is properly cleaned and sanitized after every use to prevent cross contamination and lower your maintenance costs.
2. Wash, rinse, sanitize the CraftPad on a regular basis.
3. Do not use the CraftPad if there is any potential danger.
4. Do not use the CraftPad with unsupported power unit.

The DC voltage should be 12V and current should exceed 3A.

5. Do not use extension cords or any types of unapproved wiring system that may expose the electrical supply to moisture, condensation, leaks, or any type of liquid form.

Remember!

Compliance with the CraftPad operation rules and safety procedures will guarantee undisrupted and safe device operation.

Device purpose

CraftPad Smart flow control switch is designed to manage up to 6 different beer flows being dispensed through Pegas CraftTap Smart, CraftTap 3 or other beer dispensing system.

Switch has 7 lines:

- 6 for beer;
- 1 for gas to purge beer lines.

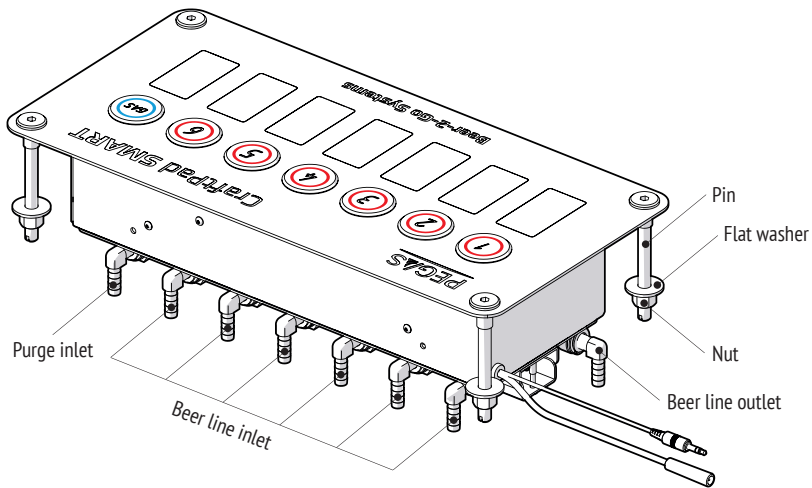
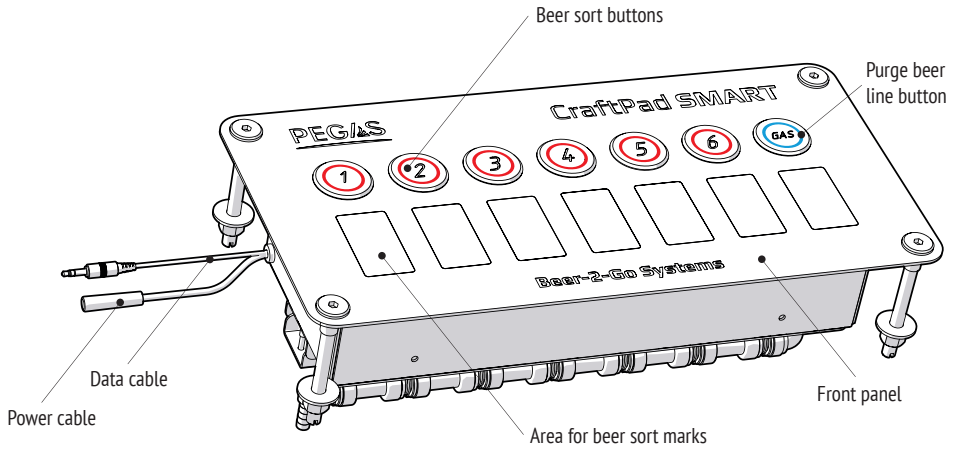
Key features:

- switch between different sorts of beer with a single press of a button;
- particular beer dispense settings for every sort when using with Pegas CraftTap Smart;
- purge beer line with a press of a button “Gas”;
- deactivate beer lines not in use to avoid casual beer leakage;
- installation on horizontally and vertically oriented surfaces.

Packaging contents:

- CraftPad Smart flow control switch;
- mounting stencil;
- pin with washer and nut M8 (x4);
- power unit (optional).

CraftPad layout



Installation and connecting

Please refer to the installation scheme.

1. Define a place with a flat surface for the CraftPad Smart. Make sure that chosen place fits the dimensions in the mounting stencil and below is enough space for beer and gas lines and drainage.

Increasing the distance between beer line outlet of the CraftPad and inlet of the CraftTap Smart results in high beer wastage because of purging the beer line. Place CraftPad as close to CraftTap Smart as 0,5 m or less, to save more beer. 

2. Fasten the stencil over the surface and copy drilling and cutting marks.
3. Drill and saw holes according to the marks.
4. Set the CraftPad into the rectangular opening (leave the power and data cables under the CraftPad).
5. Install pins, put washers and screw nuts on the pins to fasten CraftPad at the countertop by tightening the nuts up (installation scheme, d).
6. Please refer to the installation scheme to connect beer and gas lines
 - connect beer supply hoses to the inlet tube to hose elbow of the CraftPad beer line;
 - connect the outlet tube to hose elbow with beer supply hose of CraftTap Smart;
 - connect gas bottle with inlet tube to hose elbow of the CraftPad purge beer line, with gas hose of CraftTap Smart and with beer kegs.

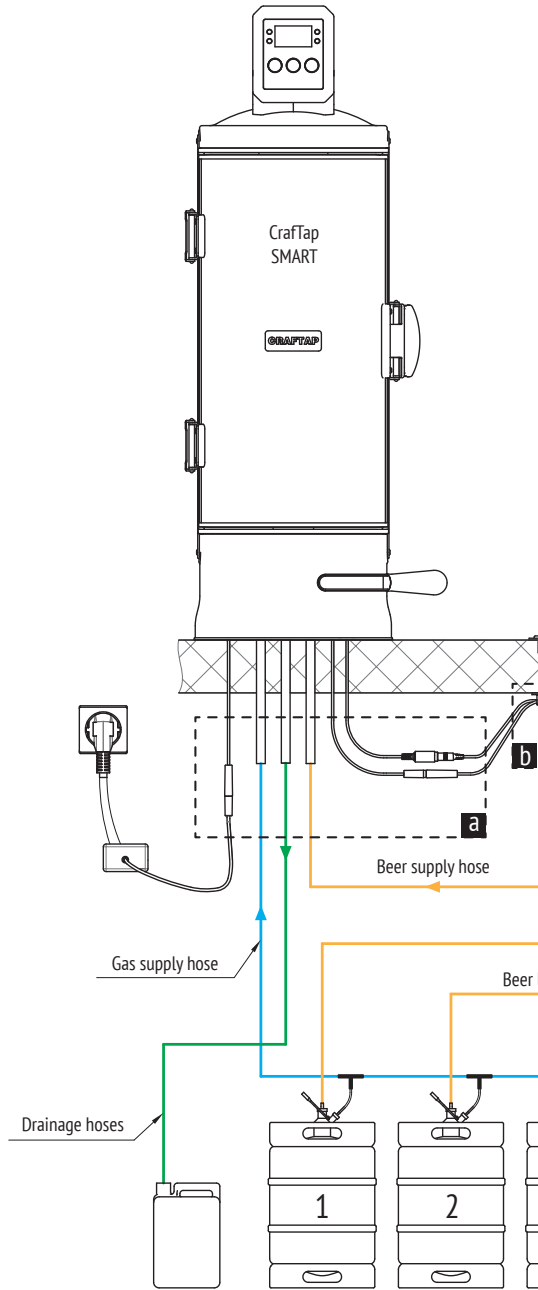
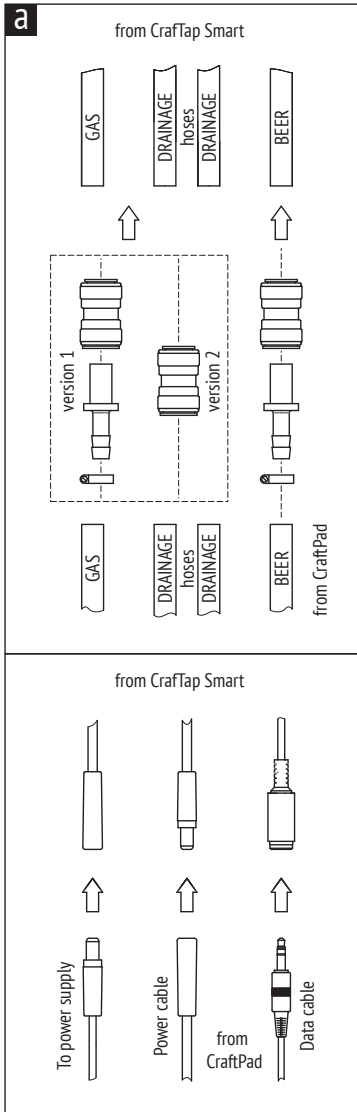
If using John Guest (JG) pipes* with outside diameter of 8 mm, remove locking clip and detach JG tube to hose elbow from JG straight adaptor. Then insert JG pipes directly to JG straight adaptors. Make sure that pipe ends are firmly fixed.

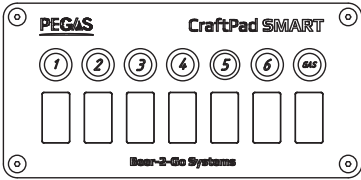
If using flexible tubes* with inner diameter of 7 mm, put tube ends on JG tube to hose elbow and fix them with clamps* (installation scheme, c).

*Tube ID 7 mm, JG pipe OD 8 mm and clamp are not included in packaging contents.

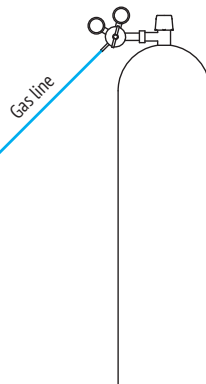
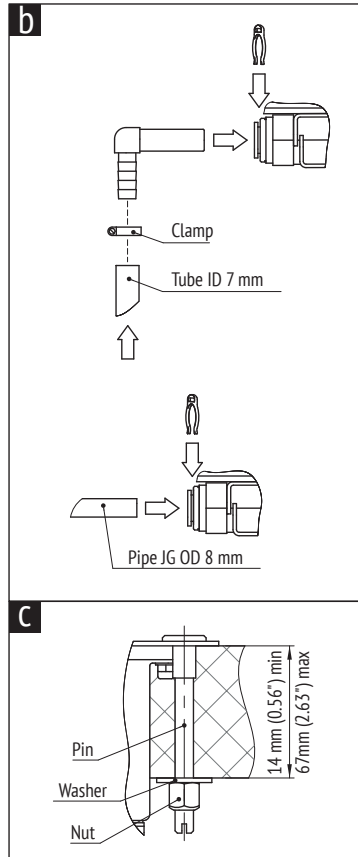
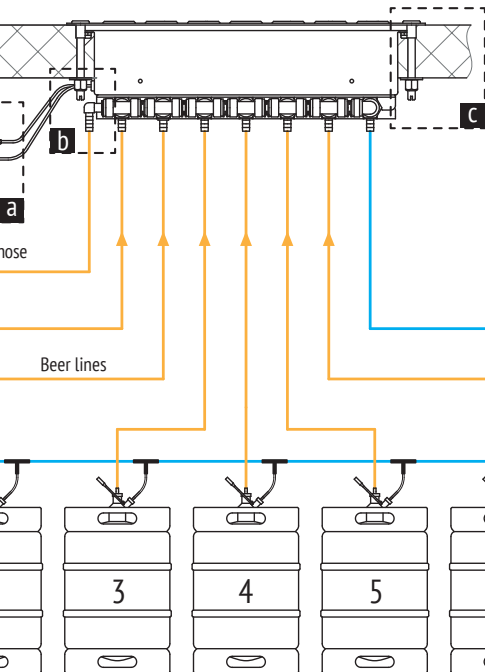
7. Put drainage hoses from CraftTap Smart into drainage container.

Installation scheme





↑
CraftPad SMART



Electric plug (installation scheme, b)

1. Remove protective caps from power and data cables.
2. Connect power cable of the CraftPad with the power cable of the CraftTap Smart indicated “POWER PLUG FOR CRAFTPAD SMART”.
3. Connect data cable of the CraftPad with the data cable of CraftTap Smart indicated “DATA WIRE FOR CRAFTPAD SMART”.
4. Connect the dispensing system CraftTap Smart to a power supply and turn on the power button on its back cover.
5. After turning the power on all numbered buttons on the CraftPad Smart will flash on and off, one by one first and then buttons corresponding chosen beer lines will flash on and off simultaneously.

Switch ready-to-work check list:

- beer, gas and drainage lines are properly connected;
- CraftPad Smart connected to the power via CraftTap Smart (or via separate power unit);
- gas supply is opened;
- beer coolers are on (if in use);
- buttons on the switch are not highlighted and display of the CraftTap Smart indicates “0” (the system is in standby mode).

Button indication

- All buttons are NOT highlighted when the CraftPad is ready for operations.
- While opening/closing valve the corresponding button flickers with light.
- Chosen beer line is indicated with red highlighted button.
- Chosen purge beer line button is highlighted with blue.

Beer line selection

Press the button with corresponding number (1 to 6). It will be highlighted with red.

Beer dispensing

Please refer to the Pegas CraftTap Smart Short manual of foamy beverages' dispense. If there is E5 error code on the display of the CraftTap Smart, select the beer sort.

Setting dispensing parameters for different sorts of beer

Different beer dispensing parameters can be set for different sorts of beer. Beer dispensing parameters will be automatically saved after being set for selected sort of beer with Pegas CraftTap Smart. These parameters will be activated if particular sort of beer is chosen. For further instructions please refer to PEGAS CraftTap Smart Short manual of foamy beverages' dispense.

Purge

Beer line purge should be performed before switching different beer lines. Properly insert bottle into CraftTap Smart before purge. Start purge of the beer line by pressing the Gas button.

Note! The beer line is fulfilled with gas after purge. Therefore beer volume of the first bottle can be slightly decreased.

Deactivation of lines not in use

If you don't use some of beer lines you can deactivate them so pressing these buttons will do nothing. To deactivate beer lines:

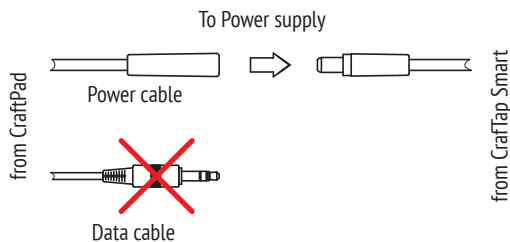
1. Turn off the CraftPad pressing power button on the CraftTap Smart. If you use the CraftPad without CraftTap Smart unplug the power unit from outlet.
2. Simultaneously press and hold buttons "6" and "Gas" on the CraftPad layout.
3. Press the power button on the back cover of CraftTap Smart.
4. Wait until all buttons start flashing simultaneously.
5. Release buttons "6" and "Gas". Now the CraftPad is in setting mode.
6. Activate or deactivate beer lines by pressing the corresponding buttons. Active line is indicated by highlighted button, and deactivated line is indicated by extinct button.
7. To save settings press "Gas" button, or wait 20 secs to save settings automatically. While saving chosen buttons will flash.

Maintenance

1. Remove keg coupler from keg, connected to beer line #6, and then connect keg coupler to the sanitary keg.
2. Press button “6” to activate beer line #6.
3. Proceed to sanitary operations as described in Service manual for Pegas CarfTap Smart, CraTap 3 or other beer dispensing system.
4. To clean other beer lines repeat procedure for the rest of lines.

Manual mode

Manual mode is intended to use CraftPad Smart with other PEGAS dispensing systems, besides CraTap Smart.



Important:

- There is no need to connect data cable. To protect the plug use the protective cap (included).
- To purge CraftPad press “GAS” button, connect the bottle to the dispensing device and open the beer line for several seconds until foam will finish. Close the gas valve pressing “GAS” again.
- Separate DC power unit 12V/3A is required.

CraftPad Smart defines online or manual mode automatically, it depends on if there is a connection between CraftPad and CraTap Smart or not.

Technical specification

Number of beer sorts: 6

Gas purge line: 1

Power input

Input voltage: 12V DC

Maximum input current: 3A DC

Cables length: 1.8 m

Temperature range: 0 °C – 40 °C

Dimension: 390x190x110 mm

Net weight: 5.2 kg

Total weight: 6.0 kg

We welcome your feedback and will review any complaints as to the dispenser's quality at NPM, Ltd.

PO Box 239, Novosibirsk, 630108, Russia.

Tel.: +7 (383) 211-90-49, e-mail: sales@npmgroup.ru

PEGAS[®]

CraftPad SMART

BY  **NPM**